

CATALOG NO.: 5001023

**DESCRIPTION**

MPS Console Pole Mount Adapter

**INDICATION FOR USE**

The adapter provides support for the MPS Console when being mounted on a pole of a heart lung machine.

**CONTRAINDICATION**

This product is designed and warranted for use with the MPS Myocardial Protection System ONLY. Use with other systems is contraindicated. This product is not designed, sold, or intended for use except as indicated.

**WARNINGS AND CAUTIONS**

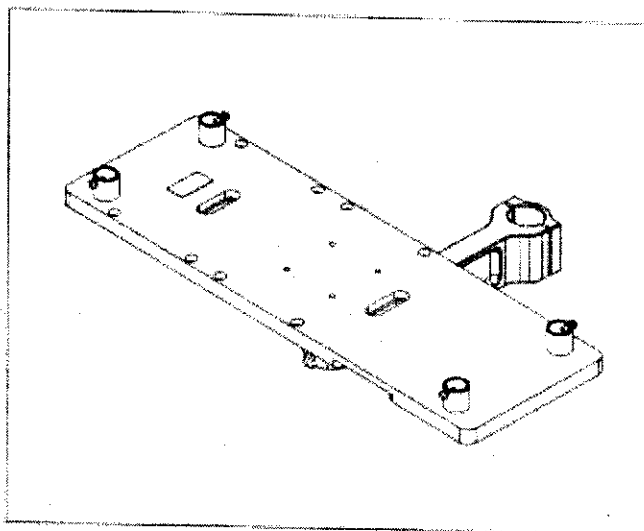
Read instructions carefully. The attending clinician is solely responsible for the setup and use of this device.

For use with Quest MPS Console ONLY. All claims void if used separately.

**INSTRUCTIONS FOR USE**

**MPS Console Pole Mount Adapter (CAT. NO. 5001023)**  
Instructions:

1. Reference Figure 1 for the following instructions.
2. Remove the MPS Console Pole Mount Adapter from the packaging.
3. Remove the adapter plate from the mounting arm by loosening and then removing the threaded knob and washer.
4. Loosen or remove, depending upon the installation, the four screws which secure the clamp block to the mounting arm.
5. Position mounting arm in the desired location on the pole and secure clamp block using the four screws from Step 4.
6. Position adapter plate onto the mounting arm and secure plate with the threaded knob and washer.
7. Carefully set the MPS Console on the adapter plate so that the tall rubber feet, on the bottom of the MPS, slide into the four cupped seats of the adapter plate.
8. Tighten the four screws in the cupped seats to secure the MPS Console to the adapter plate.



**Figure 1: MPS Console Pole Mount Adapter**

9. Place MPS in the correct operating position and ensure the threaded knob is tightened.
10. The MPS Console is now ready for setup as detailed in the MPS Operations Manual.
11. Instructions to assemble the MPS ITM Bracket (CAT. NO. 5001007) with the MPS Console Pole Mount Adapter (CAT. NO. 5001023) can be found on the opposite side of this sheet.

The MPS® and MPS® Sterile Disposables are covered under one or more of the following U.S. Patents:  
5,385,540; 5,638,737; 5,573,502; 5,638,737; 5,588,816; Patents Pending

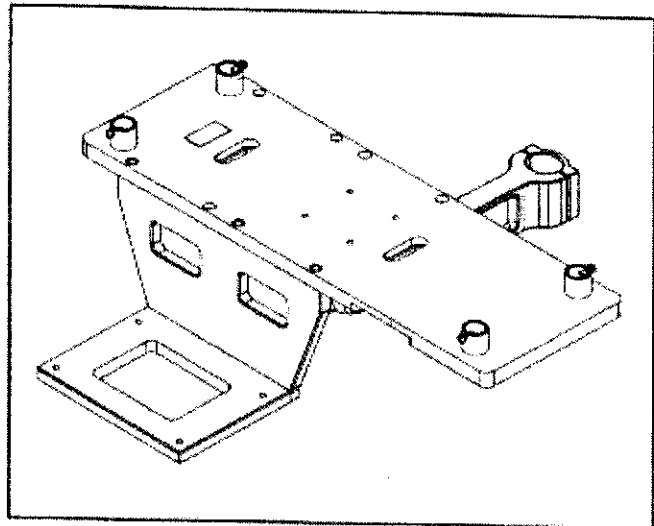
CATALOG NO.: 5001023

**INSTRUCTIONS FOR USE**

**MPS Console Pole Mount Adapter (CAT. NO. 5001023)  
with MPS ITM Bracket (CAT. NO. 5001007)**

**Instructions:**

1. Reference Figure 2 for the following instructions.
2. Remove the MPS ITM Bracket from the packaging.
3. Remove the three screws securing the pole mount clamping bracket to the ITM bracket.
4. Remove the MPS Console from the MPS Console Pole Mount Adapter.
5. Align and secure the ITM bracket to the adapter plate using the three screws removed in Step 3, as shown in Figure 2. Tighten screws fully.
6. Place ITM onto the shelf of the bracket and secure underneath with the four screws and washers provided.
7. Carefully set the MPS Console on the adapter plate so that the tall rubber feet, on the bottom of the MPS, slide into the four cupped seats of the adapter plate.
8. Tighten the four screws in the cupped seats to secure the MPS Console to the adapter plate.
9. Place the MPS in correct operating position and ensure the threaded knob is tightened.
10. Refer to the MPS Operations Manual for further instructions.



**Figure 2:** MPS Console Pole Mount Adapter (CAT. NO. 5001023) shown with MPS ITM Bracket (CAT. NO. 5001007)

The MPS® and MPS® Sterile Disposables are covered under one or more of the following U.S. Patents:  
5,365,540; 5,638,737; 5,573,502; 5,638,737; 5,588,816; Patents Pending



**QUEST Medical, Inc.**  
An **Atrion** company.

ONE ALLENTOWN PARKWAY / ALLEN, TEXAS 75002 USA  
800 627-0226 / 972 390-9800 / FAX: 972 390-8465

09/09/2003

892626 REV A  
AUGUST 03