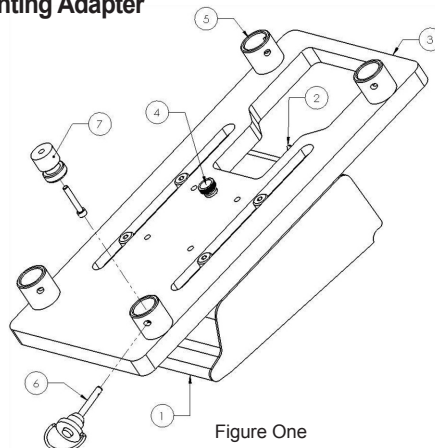


REF 5301025 MPS® 3 Console Base Mounting Adapter



DESCRIPTION: MPS® 3 Base Mounting Adapter Assembly

The MPS® 3 Base Mounting Adapter allows an MPS 3 console to mount on the base of a Terumo® System One heart lung machine. The base adapter mounts rigidly to the base of the System One and allows the plate to move forward and back. The plate can be held stationary if desired. See figure one for part identification.

- 1) Terumo Base Adapter
- 2) Latch
- 3) MPS 3 Console Adapter Plate
- 4) Friction Screw
- 5) Cupped Seats
- 6) Quick Release Pin
- 7) MPS 3 Foot Adapter

INDICATION FOR USE

The adapter provides support for the MPS 3 Console when mounted on the base of the Terumo System One heart lung machine.

CONTRAINDICATION

This device is designed and warranted for use with the Quest MPS 3 Myocardial Protection System only. Use with other systems is contraindicated. This device is not designed, sold, or intended for use except as indicated.

WARNINGS and CAUTIONS

- Read and understand the information in these instructions prior to operating the MPS 3 console. See Operators Manual for a complete list of Warnings and Cautions. The attending clinician is solely responsible for the setup and use of the MPS 3 console / perfusion system.
- For use with Quest's MPS 3 console only. All claims void if used separately.

INSTRUCTIONS FOR USE

The MPS 3 System One base adapter allows the MPS 3 Console to mount to any position on the System One base. The adapter allows a three inch movement forward and backward. The console can be moved to any position along this movement or can be set in a stationary position.

The MPS 3 System One Adapter is constructed with the following parts:

1. Reference Figure One with the following instructions.
2. Remove the MPS 3 Console Mount Adapter from the packaging.
3. Choose a location on the Terumo System One Base to mount the MPS 3 Console Adapter.
4. Place the front of the Base Adapter (1) under the mounting rail of the System One Base and lower the back of the Base Adapter into place.
5. Using the Base Adapter Latch (2) secure the assembly into place.
6. Position the MPS 3 Adapter Plate (3) to its full forward position.
7. Slide forward and backward, to ensure there are not obstacles preventing movement.
8. Apply slight friction to the movement of the plate using the plastic friction screw (4). This will allow the MPS Adapter Plate to stay in its position. The thumb screw may be further tightened to restrict movement if desired.
9. Remove one of the rubber feet from the MPS Console, and replace it with the MPS Foot Adapter (7) with the included screw.
10. Carefully set the MPS 3 Console on the Adapter Plate so the feet of the MPS 3 Console are placed into the Cupped Seats (5) on the Adapter Plate.
11. With the button of the Quick Release Pin (6) depressed, the pin is placed into the hole on the Cupped Seat at the location of the Foot Adapter. This secures the console to the Adapter Plate.
12. The MPS 3 Console is now ready for setup as detailed in the MPS 3 Operators Manual.