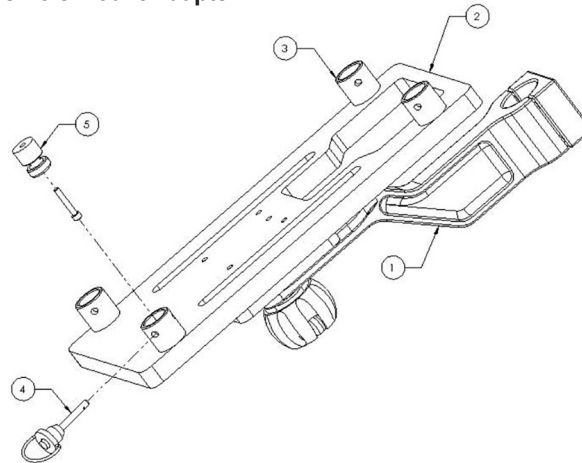


**REF** 5301023 MPS® 3 Console Pole Mount Adapter



### DESCRIPTION:

The MPS® 3 Console Pole Mounting Adapter

See figure one for part identification.

- 1) Pole Mount Arm
- 2) MPS Console Adapter Plate
- 3) Cupped Seats
- 4) Quick Release Pin
- 5) MPS Foot Adapter

### INDICATION FOR USE

The adapter provides support for the MPS 3 Console when being mounted on a pole of a heart lung machine.

### CONTRAINDICATION

This product is designed and warranted for use with the Quest MPS 3 Myocardial Protection Systems only. Use with other systems is contraindicated. This product is not designed, sold, or intended for use except as indicated.

### WARNINGS and CAUTIONS

- Read instructions carefully. The attending clinician is solely responsible for the setup and use of this device.
- For use with Quest's MPS 3 console only. All claims void if used separately.

### INSTRUCTIONS FOR USE

1. Reference Figure One with the following instructions.
2. Remove the MPS 3 Pole Mount Adapter from the packaging.
3. Choose a location to mount the MPS 3 Pole Mount Adapter.
4. Slide forward and backward, to ensure there are not obstacles preventing movement.
5. Secure the MPS 3 Pole Mount Adapter in the location desired. The knob of the Pole Mount Adapter can be loosened to adjust the mounting position.
6. Remove one of the rubber feet from the MPS 3 Console, and replace it with the MPS 3 Foot Adapter (5) with the included screw.
7. Carefully set the MPS 3 Console on the Adapter Plate so the feet of the MPS 3 Console are placed into the Cupped Seats (3) on the Adapter Plate.
8. With the button of the Quick Release Pin (4) depressed, the pin is placed into the hole on the Cupped Seat at the location of the Foot Adapter. This secures the console to the Adapter Plate.
9. The MPS 3 Console is now ready for setup as detailed in the MPS 3 Operators Manual.