

Label Spec No. 902874

Revision: A

---

---

Product Description:  
MPS® ITM Bracket (8000)

---

---

Product Code: 5001012

A. Dimensions: 8 ½" W x 11" H

B. Description: Carton Insert

Stock and color: White 20Lb. Bond

1. Style: See following pages
2. Printing: Black Ink
3. Manufacture's Joint: None
4. Copy Requirements: See following pages
5. Quest Inspection Procedure: 900-01

Any additional comments: None

Label Spec No. 902874 revA

**REVISION HISTORY**

<b>REV</b>	<b>DESCRIPTION OF CHANGE</b>	<b>BY</b>	<b>DATE</b>	<b>ECO</b>
NC	New Document	Unk	8/28/97	Unk
A	Unk	Unk	Unk	Unk



**MPS® ISOLATION TRANSFORMER  
MODULE (ITM) BRACKET (S-8000)**

**CAT. NO. 5001012**

**DESCRIPTION**

Isolation transformer module bracket and hardware.

**INDICATION FOR USE**

The MPS® isolation transformer module bracket is indicated to be used to affix the Quest MPS isolation transformer module to the heart lung machine or MPS stand alone cart masthead.

**CONTRAINDICATION**

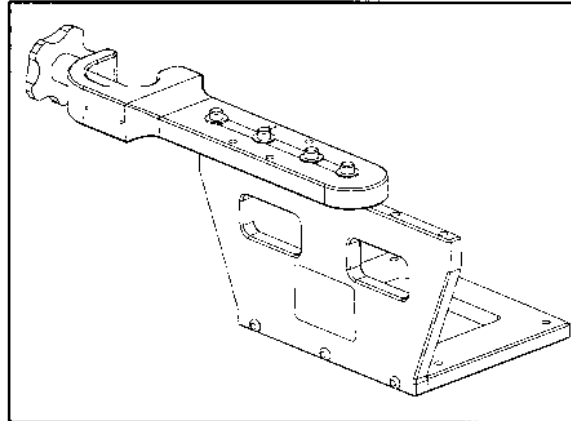
This product is designed and warranted for use with the Quest MPS myocardial protection system only. Use with other systems is contraindicated. This product is not designed, sold, or intended for use except as indicated.

**WARNINGS AND CAUTIONS**

Read instructions carefully. The attending clinician is solely responsible for the setup and use of this device.

For use with Quest's MPS system only. All claims void if used separately.

Do not over-tighten rigid connections.



**INSTRUCTIONS FOR USE**

1. Remove the MPS ITM bracket from its packaging.
2. Clamp the bracket firmly to the masthead on the heart lung machine or MPS stand alone cart so that the isolation transformer module will be in close proximity to the MPS console.
3. Place MPS isolation transformer module onto shelf of the bracket and secure underneath with the 4 screws and washers provided.
4. Refer to the MPS console Operations Manual for further instructions.

*The MPS® and MPS® Sterile Disposables are covered under one or more of the following U.S. patents:*

5,385,540	5,638,737
5,573,502	5,645,531
5,588,816	Patents Pending