

Product Description:

MPS® Isolation Transformer Module (ITM)

Code No. 5001006

- A. Dimensions: 8 1/2" W x 11" H
- B. Description: 5001006, Carton Insert
- 1. Stock and color: White 20 lb. bond
- 2. Style: See following pages
- 3. Printing: Black ink
- 4. Manufacturer's Joint: None
- 5. Copy Requirements: See following pages
- 6. Other: Refer to Quest Inspection Procedure 900-01.

(REFERENCE ARTWORK)

APPROVALS:

Shannon Farley 6/24/98
 Documentation Date

Effective Date: 24, June 98

Pat O Bird 6/24/98
 Approval Date

CAT. NO. 5001006

DESCRIPTION

Isolation transformer module.

INDICATION FOR USE

The MPS® isolation transformer module is indicated to be used with the MPS console to isolate electrical noise to and from the console.

CONTRAINDICTION

This device is designed for use with the Quest MPS console. Use with other systems is contraindicated. This device is not designed, sold, or intended for use except as indicated.

WARNINGS

Read instructions carefully. The attending clinician is solely responsible for the setup and use of this device.

For use with Quest MPS console only. All claims void if used separately.

The hospital-grade electrical outlet should have proper grounding.

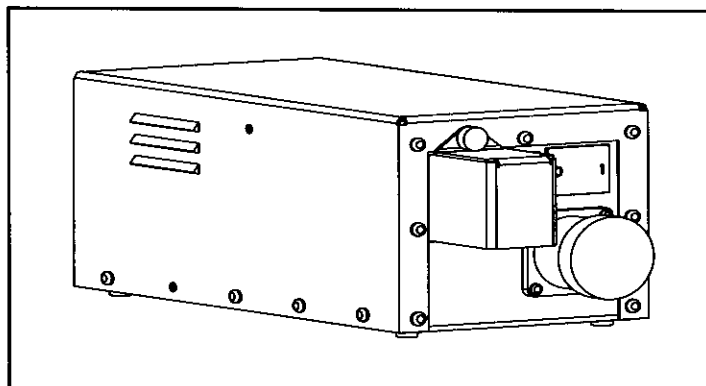
CAUTIONS

Observe all additional warnings and cautions contained in the following Instructions For Use.

The MPS console must be plugged into a hospital-grade electrical outlet on an isolated circuit from the heart-lung machine.

INSTRUCTIONS FOR USE

1. Using screwdriver, remove screw on cover over ITM power cord receptacle.
2. Fully engage receptacle on MPS power cord with flange mounted plug on ITM module using connecting ring on plug.



3. Loosen and remove knurled thumb screw from clamp block.
4. Position clamp block with its opening facing joint between receptacle and plug. Orientation of block must be such that threaded hole for knurled thumb screw is located away from ITM. Ridges on clamping block will capture flange on receptacle and back of connecting ring on plug. Cable mounted receptacle flange has two flats on it. One flat must be parallel to hole for thumb screw.
5. Insert knurled thumb screw through clearance hole, along flat side of flange, and thread into tapped hole on other side. If clamp block is not oriented properly, part of connector will prevent thumb screw from reaching tapped hole.
6. With thumb screw engaging threads in tapped hole, tighten thumb screw finger-tight. Do not over-tighten or use tools.
7. Install angled plug end of power cord into ITM power receptacle with cord facing down.
8. Replace cover over power cord plug. Using screwdriver, push in on the screw and turn clockwise one quarter turn to lock into place.
9. Plug other end of power cord into a hospital-grade electrical outlet.

The MPS® and MPS® Sterile Disposables are covered under one or more of the following U.S. patents:

5,385,540	5,638,737
5,573,502	5,645,531
5,588,816	Patents Pending